

TP04-SW

Temperature Sensor with sanitary flange for duct type



APPLICATIONS

Features

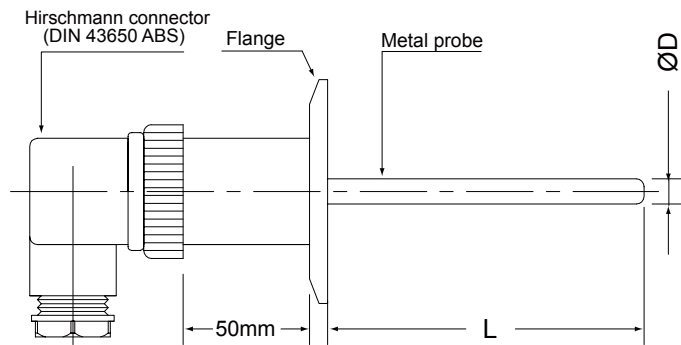
Temperature signal transmitting for monitoring purpose, food-industry, pharmaceutical industry, etc.



TP04 - SWPT **1** - **A** - **2FLW** - **8** - **100** - **316**

Sensor Type	Accuracy	Flange	OD of probe(Ø)	Length of probe(mm)	Material of probe
1. PT100 (IEC) 2. PT500 (IEC) 3. PT1000 (IEC)	A±(0.15+0.002 t) : -40°C~ 200°C B±(0.3+0.005 t) : -70°C~200°C	2" FLW	5Ø 6.3Ø 8Ø	L(mm)	SUS316L

DIMENSION



TECHNICAL SHEET

Measuring range -70 ~ +200°C
 Connection Hirschmann connector (DIN 43650 ABS)
 Protection degree IP65
 Housing SUS316L
 Length of probe On request
 Installation Flange fixed.

CONNECTION DIAGRAM

