



Operation-Manual

eYc DPM02 Multifunction Signal Display Monitor



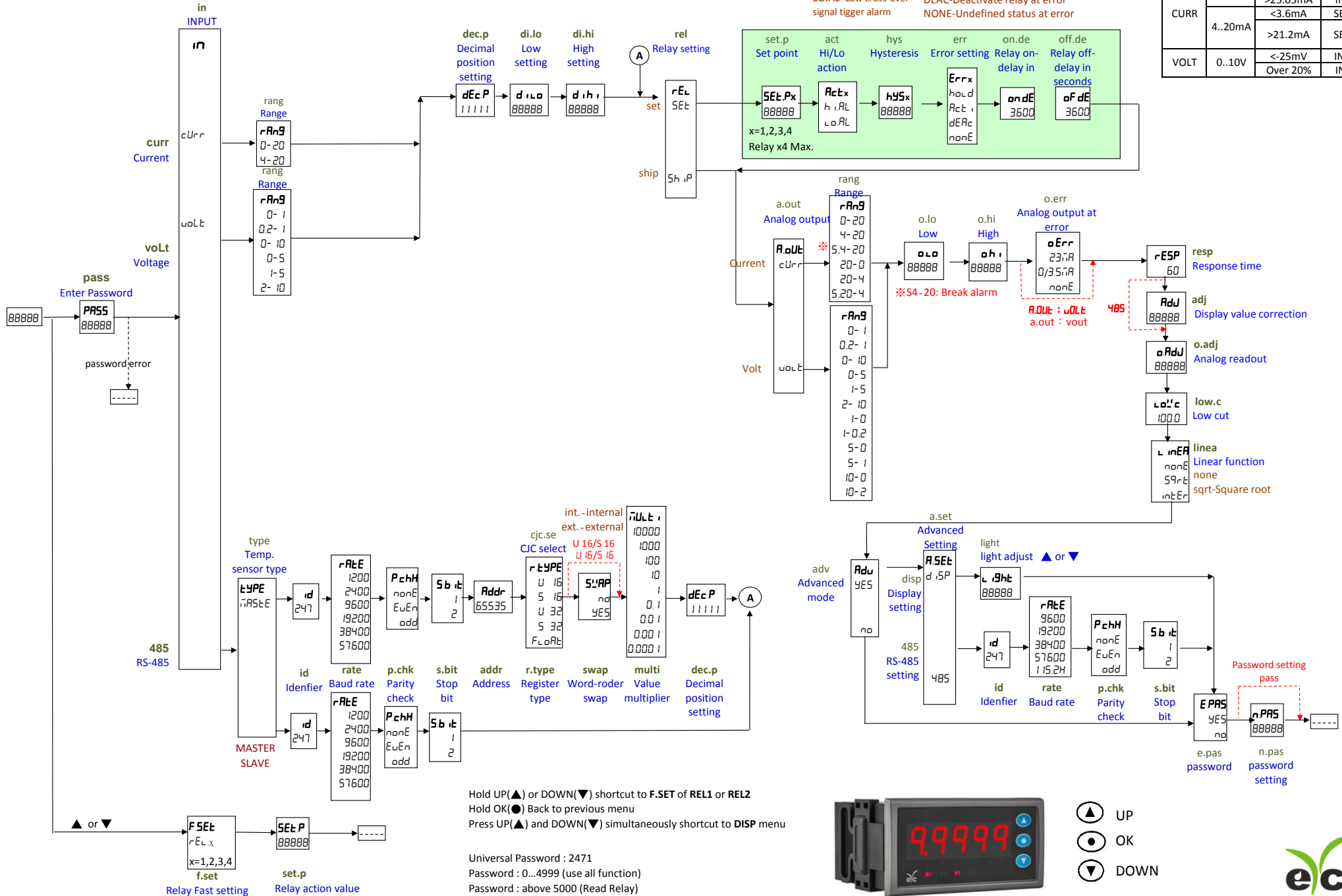
eYc DPM02



DPM02- Function Setting Instruction

HI.AL-High cross-over signal tigger alarm
 LO.AL-Low cross-over signal tigger alarm
 HOLD-Hold relay at error
 ACTI-Activate relay at error
 DEAC-Deactivate relay at error
 NONE-Undefined status at error

A.IN	RANGE	CHECK RULE	DISPLAY
CURR	0..20mA	<-0.6mA	IN.LO
	4..20mA	>25.05mA	IN.HI
		>21.2mA	SE.BR
VOLT	0..10V	<-25mV	IN.LO
		Over 20%	IN.HI



- ▲ UP
- OK
- ▼ DOWN





Sustainable | Green | Professional

Temp. & Humid. / Dew Point / Air Velocity & Volume / Flow / Pressure
Measuring Specialist



Tel.: 886-2-8221-2958
Web : www.eyc-tech.com
e-mail : info@eyc-tech.com

 www.eyc-tech.com