



TP02

Temperature Transmitter for DIN-Rail Type

Temperature-TP02

[www.eyc-tech.com](http://www.eyc-tech.com)



## | Features |

- Special IC for RTD ; High accuracy is assured
- TP02 with smaller volume so lesser space for installation is required
- High quality and low price
- DIN-rail type ; Quick to install

## | Applications |

Monitoring for long-distance temperature signal transmission / For industries in heating / Ventilation / Air conditioning / Cooling / Water power / Electricity, etc. / For process in agriculture / Green house / Environmental engineering / Food / Pharmaceutical industry

## | Specification |

### Input

Input signal	RTD Pt100(3-wire)
Cable resistance	$\leq 50 \Omega$ (3 wires with the same resistance)
Pt100 sensor current	$< 0.8 \text{ mA}$
ZERO adjustment range	$\pm 10\%$
SPAN adjustment range	$\pm 10\%$

### Output

Output signal	DC 4 ... 20 mA(2-wire)
Load resistance	$\leq (\text{Supply voltage} - 8 \text{ V}) / 0.02 \text{ A } \Omega$
Load resistance stability	$\pm 0.05\% / 100 \Omega$
Power stability	$\pm 0.025\% / \text{V}$

### Accuracy

Accuracy	$\pm 0.1\%$ of F.S.
----------	---------------------

### Temperature

Temperature drift	$< \pm 0.015\%$ F.S. / $^{\circ}\text{C}$
Calibration temperature	20 ... 28 $^{\circ}\text{C}$
Response time	$< 250 \text{ ms}$

### Environment

Medium	Air
Operating temperature	-20 ... 60 $^{\circ}\text{C}$
Operating humidity	0 ... 95%RH(Non-condensing)

### Electrical specification

Power supply	DC 10 ... 30 V
Operation frequency	AC 47 ... 63 Hz
Operating environment	-20 ... 60 $^{\circ}\text{C}$ 0 ... 95%RH(Non-condensing)

### Protection

Pt100 signal disconnection protection & output	$> 23 \text{ mA}$
Pt100 signal short circuit protection & output	$< 3 \text{ mA}$
Output polarity protection	Yes
IP rating	Housing : IP30 / Terminal : IP10

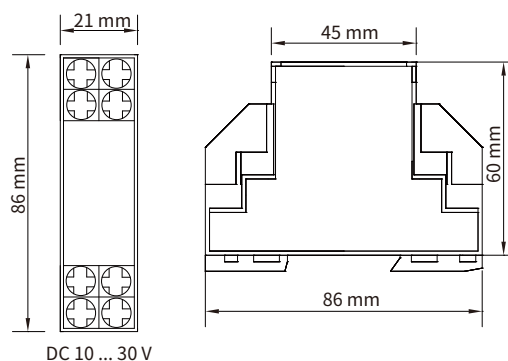
### Certification

Certification	CE
---------------	----

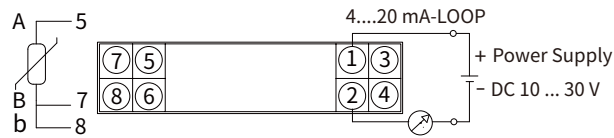
### Material

Housing	ABS(UL94V-0)
---------	--------------

## | Dimension |



## | Diagram |



## | Ordering Guide |

