



# THS130/140

Temperature & Humidity Transmitter for Indoor / Duct type



## | Features |

- Excellent long-term stable ability
- Cost-effective and accurate measurement
- Outstanding long-term performance
- Voltage or current outputs

## | Applications |

Monitoring for HVAC process / Air conditioning / Environmental ventilation control / Environmental monitoring for building / Factory / Hospital / Storage rooms / Monitoring for building automation environment

## | Specification |

### Input

Sensor type MEMS sensor

### Measuring range

Temperature 0 ... 50°C

Humidity 0 ... 100%(Non-condensing)

### Output

Output 4 ... 20 mA / 0 ... 10 V

Signal connection 2-wire / 3-wire

Warm-up time <2 min ; Stable time 20 min

Response time  $t_{63}(15^{\circ}\text{C} \dots 45^{\circ}\text{C} / 33 \dots 75\%\text{RH}) \leq 10 \text{ sec}$

Sampling time About 3 sec

Temperature influence Max.-0.15%RH/°C(0°C ... 80°C)

Load resistance Current <250 Ω ; Voltage  $\geq 10 \text{ K}\Omega$

### Accuracy(at 25°C)

Temperature  $\pm 0.5^{\circ}\text{C}$

Humidity  $\pm 3\%\text{RH}(30 \dots 80\%\text{RH})$

### Electrical

Power supply DC 15 ... 35 V / DC 19 ... 35 V & AC 24 V  $\pm 10\%$

Current consumption DC : Max. 80 mA / AC : Max. 150 mA

Electrical connection 2-wire : 3P connector

3-wire : 4P connector

### Environment

Medium Air

Operating Temp. 0 ... + 50°C

Operating Humid. 0 ... 100%RH(Non-condensing)

Storage Temp. -20 ... +60°C

### Installation

Installation Indoor : Wall mount

Duct : Flange

### Protection

IP rating IP54

Electrical protection ■ Polarity protection

■ Over-voltage

■ Short circuit

### Certification

Certification CE

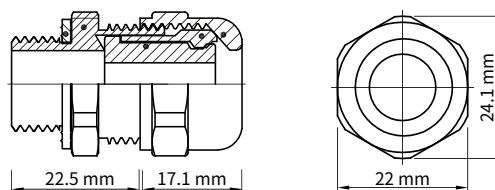
### Material

Housing PC(PC-110)(UL94V-2)

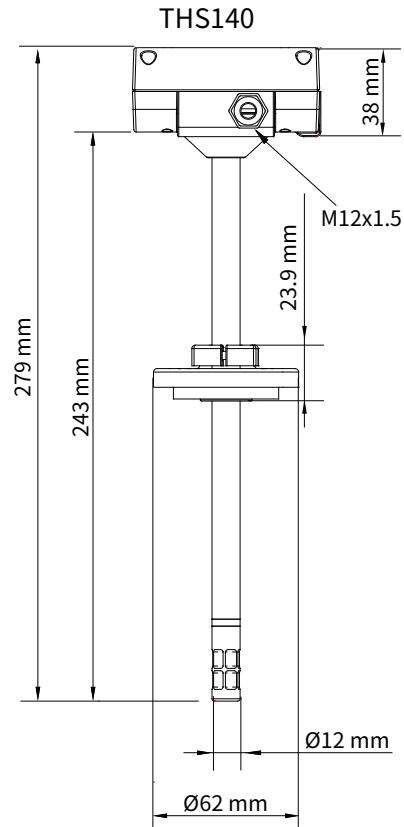
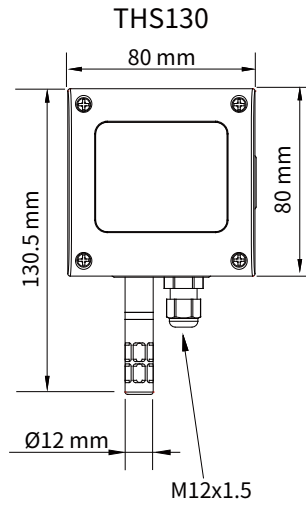
Weight THS130 : 113 g ; THS140 : 135 g

## | Electrical Connector |

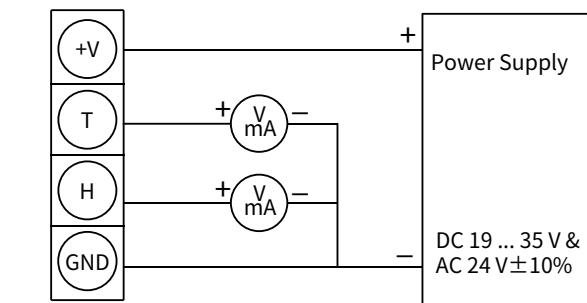
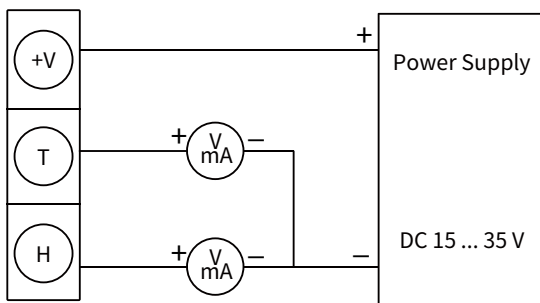
【N type(M16 cable gland)】 Analog



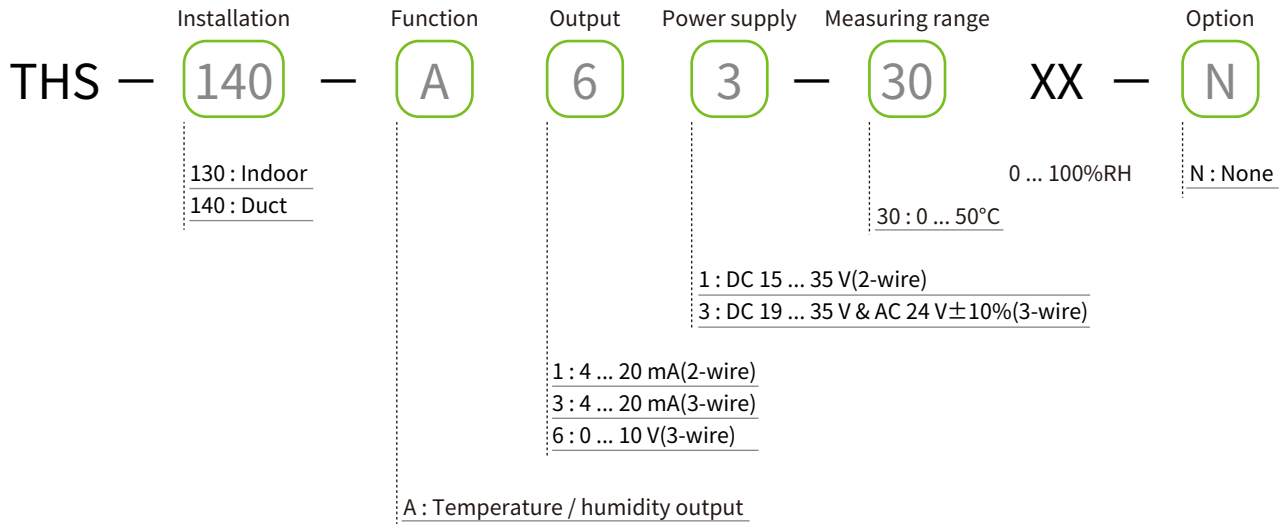
## | Dimension |



## | Diagram |



## | Ordering Guide |



## | Additional Option Test Report | For more detailed information please contact us.

### ■ ILAC / TAF

YUDEN-TECH CO.,LTD. Calibration Laboratory - ( ILAC / TAF ) Test report.  
 (TAF accreditation : 3032, complying with ISO / IEC 17025 ) TAF has mutual recognition arrangement with ILAC MRA

| Project    | Measurand level or range     |
|------------|------------------------------|
| Hygrometer | Temperature : 0°C ... 69.5°C |
|            | Humidity : 10% ... 95%       |

### ■ ISO 9001

| Project                  | Measurand level or range    |
|--------------------------|-----------------------------|
| Temperature and Humidity | Temperature : 0°C ... 200°C |
|                          | Humidity : 0.1% ... 99.8%   |