



THS17-MD Temp. & Humidity Transmitter



| Features |

- Real-Time data of temperature & humidity
- SUS304 metal housing
- Economic price, high accuracy, nicer long-term stability
- MEMS semiconductor sensor
- Anti-condensation protection
- Digital RS-485 output
- Compact size and elegant outlook and easy to install

| Applications |

Monitoring for HVAC process / Air conditioning / Environmental ventilation control / Building / Factory / Clean room / Laboratory / Storeroom / Crisper / Agriculture / Food industry / Machinery / Equipment

| Specification |

Input

Temperature	MEMS
Humidity	MEMS

Measuring range

Temperature	0°C ... +50°C
Humidity	0 ... +100%RH (Non-condensing)

*The measurement range is defined at the standard condition(1013 mbar, 25°C).

Output

Output	RS-485
Signal connection	3-wire
Warm-up time	< 2 min. stable time 20 mins.
Response time	t63 (15 ... 45°C/33 ... 75%RH) ≤ 10 sec
Sampling time	About 3 sec

Accuracy (at +25°C)

Temperature	±0.1°C (Suggest range : 10°C ... 50°C)
Humidity (20 ... 70%RH)	±1.0%RH
Hysteresis error	±1.0%RH
Temp. influence	±0.15%RH/°C (0 ... 50°C)

Electrical

Power supply	DC 24 V ± 10%
Current consumption	DC : Max. 6 mA
Electrical connection	PVC cable 0.32 mm ² x 4C

Environmental

Medium	Air
Operating Temp.	+0°C ... +50°C
Operating Humid.	0 ... 100%RH (Non-condensing)
Storage temperature	-20°C ... +60°C

Installation

Installation	Metal flange
	Wall mounting bracket

Protection

IP rating	IP24 (Sensor) ; IP 65 (Body)
Electrical protection	<input checked="" type="checkbox"/> Reverse polarity <input checked="" type="checkbox"/> Over-voltage <input checked="" type="checkbox"/> Short-circuit

Certification

Certification	CE
---------------	----

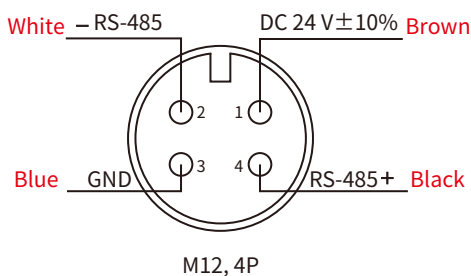
Material

Housing	SUS304 (Metal)
Cable	PVC
Accessory	Metal flange / Wall mounting bracket (Optional)

Weight

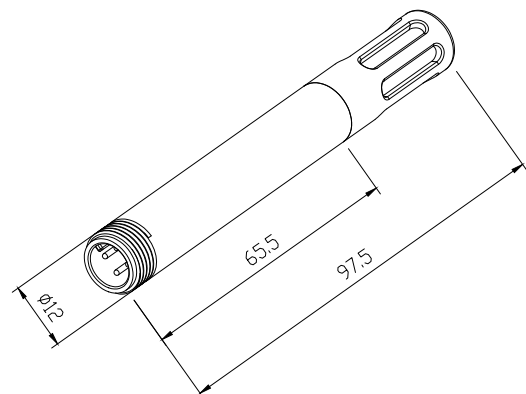
Metal (with cable)	135 g
----------------------	-------

| Diagram |



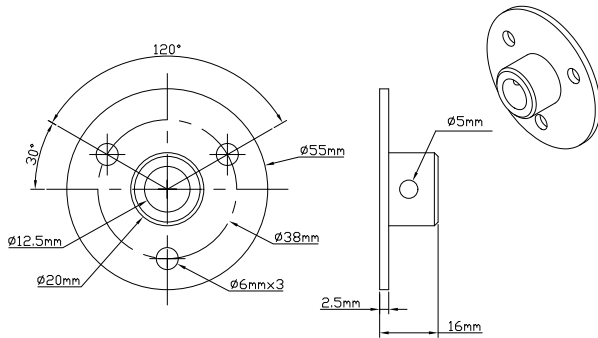
*Please make sure the product and the device which connect with RS-485 are on common ground, avoid damaged product.

| Dimension | Unit : mm

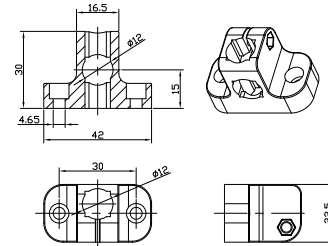


| Accessory |

■ 4415000022
Metal flange



■ 8203104022
Wall mounting bracket



| Ordering Guide |

Product ordering number	Specification
THS17-MD	RS-485 / DC 24 V \pm 10% (3-wire) / 0 ... 50°C / 0 ... 100%RH / Metal probe / 2m cable

Optional : Wall mounting bracket (8203104022)

| Additional Option Test Report | For more detailed information please contact us.

■ ILAC / TAF

YUDEN-TECH CO.,LTD. Calibration Laboratory - (ILAC / TAF) Test report.

(TAF accreditation:3032, complying with ISO / IEC 17025) TAF has mutual recognition arrangement with ILAC MRA

Project	Measurand level or range
Resistance thermometer	-40°C ... +300°C
Thermocouple thermometer	-20°C ... +300°C

Project	Measurand level or range
Hygrometer	Temperature : 0°C ... 69.5°C
	Humidity : 10% ... 95%

■ ISO 9001

Project	Measurand level or range
RTD / Thermocouple	Resistance thermometer : -40°C ... +300°C
	Thermocouple thermometer : -20°C ... +300°C

Project	Measurand level or range
Temperature and Humidity	Temperature : 0°C ... 200°C
	Humidity : 0.1% ... 99.8%