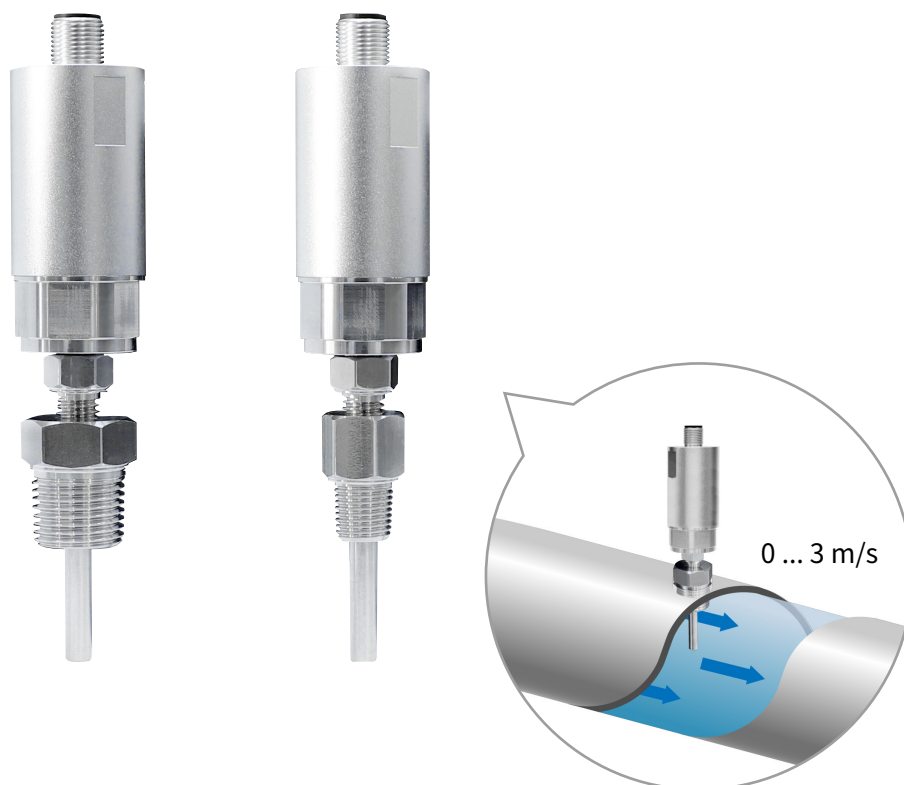




FTC06 Temperature & Flow Transmitter



| Features |

- Rugged aluminum alloy housing, suitable for harsh environments
- Measures temperature and water flow via RS-485
- RS-485 configuration software allows setting of measurement range, analog output, and device address
- Built-in data logging function supports up to 65,535 records with graphical analysis
- Designed for liquid water-cooling systems
- Integrated, fully encapsulated probe design, compatible with various threaded fittings

| Applications |

AI Servers / Precision Manufacturing / Data Centers / Semiconductor / Electronics / Chemical / Pharmaceutical / Steel industry / Biotechnology / Industrial process monitoring / Air conditioning / Cleanroom / Laboratory / Weather station / Hospital / Buildings / Dryers / Factories / Storage rooms / Environmental ventilation control / Environmental test chambers / Greenhouses

| Specifications |

Input

Sensor type	Pt 100 / Pt 1000
Measuring range	0 ... 3 m/s

Output

Output	4 ... 20 mA / RS-485 / NPN
Load resistance	Current output : $\leq 500 \Omega$
Response time (at +25°C)	t90 < 3 sec
Filter response	0 ... 100 adjustable
Sampling time	1 cycle/sec
Temperature gradient	3 K/min

Accuracy (at +25 °C)

Repeatability	$\pm 0.5\%$ / Temperature Compensation
Temperature	$\pm 0.5\%$ of F.S
Temperature drift	$\leq 0.2\%$ F.S. / °C

Communication

Comm. Interface & Protocol	RS-485 Modbus RTU
RS-485 Baud Rate	9600 · 19200 · 38400 · 57600 · 115200 bps

Electrical

Power supply	DC 24 V $\pm 10\%$
Current consumption	< 100 mA
Electrical connection	M12 8P connector

Environmental

Medium	Liquid
Operating Temp. (Housing)	-20 ... +60°C
Operating Humid. (Housing)	0 ... 90% (Non-condensing)
Probe Operating Temp.	0 ... 50°C
Storage temperature	-25 ... +60°C
Probe pressure resistance	2 bar

Installation

Installation	1/4"PT or 1/2"PT movable thread
--------------	---------------------------------

Certification

Certification	CE
---------------	----

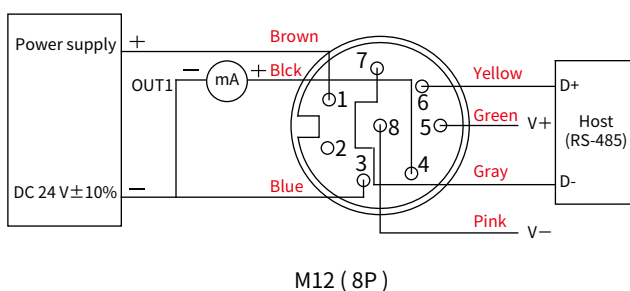
Protection

IP rating	IP65 (Housing)
Electrical protection	■ Reverse polarity ■ Over-voltage

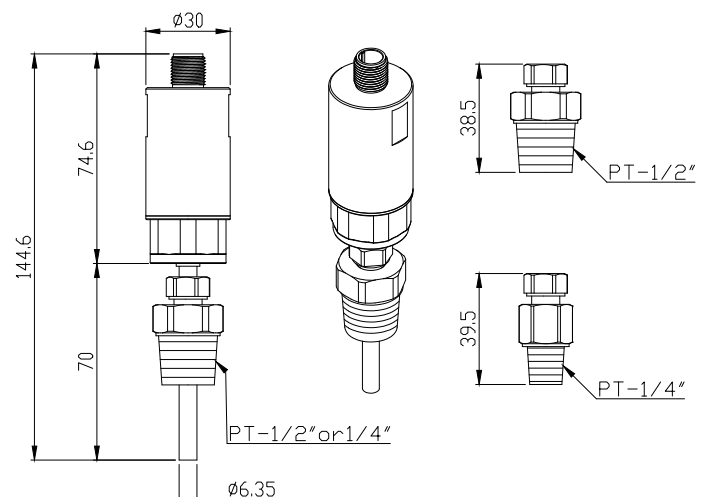
Material

Probe	SUS304
Housing	Aluminum alloy
Weight	About 180g

| Diagram |



| Dimension | Unit : mm



| Ordering Guide |

Product ordering number	Product Specifications
FTC06-W1	O/P : 0 ... 3 m/s to 4 ... 20 mA + RS-485+NPN

*Recommended Optional Accessories

8100140016 : 1/4" PT Movable Male Thread, SUS304

8100140017 : 1/2" PT Movable Male Thread, SUS304

T-6.4D(F)x4FPF(M)x304 : 1/2G" Movable Male Thread, SUS304

| Additional Option Test Report | For more detailed information please contact us.

■ ILAC / TAF

YUDEN-TECH CO.,LTD. Calibration Laboratory - (ILAC / TAF) Test report.

(TAF accreditation : 3032, complying with ISO / IEC 17025) TAF has mutual recognition arrangement with ILAC MRA

Project	Measurand level or range
Flow transmitter	Water flow rate : 2.54 m ³ /h ...30 m ³ /h (42.3 L/min ... 500.0 L/min)
	Water flow velocity : 0.2 m/s ... 3 m/s

■ ISO 9001

Project	Measurand level or range
Air velocity / Air volume	Air velocity : \leq 120 m/s
	Air volume : 0.5 m ³ /h ... 1000 m ³ /h

* Calibration Condition : Measuring tube DN40 (1.5"), DN80 (3")