



SD05 Integrated Signal Indicator



※EYC SD05 fit for other kinds of transmitter

Application

〈 Feature 〉

- SD05: 330° turnable; the direction of panel is changeable; good monitoring angle without blind corner
- Programmable, display value can be set according to sensor's spec
- Integrated display connected with 2-wire transmitter. Suitable for the on-site application
- The power is from 2-wire signal loop, no extra power supply is required, easy to install
- Programmable by pressing 2 buttons, easy to operate
- High performance, good stability and functionality

〈 Application 〉

With extensive applications as process monitoring in semiconductor industry, steel industry, chemical industry, environmental engineering, food processing, pharmaceutical industry, water plants, power plants, research and development, etc

Specification

Input

Input signal	4 ... 20 mA DC
	eg : pressure / differential pressure / temperature / flow / PH value / load cell, etc
parameter setting	programmable by pressing the button

Output

display method	4-digit LED (height of word: 9.2mm)
display range	- 1999 ... +9999
scale	decimal point, programmable
display accuracy	0.2 % F.S.
voltage drop	3.3 VDC
overload current	40 mA DC

Power Supply

power	4 ... 20 mA, 2-wire loop power
electrical connection	DIN 43650 plug / M12 connector

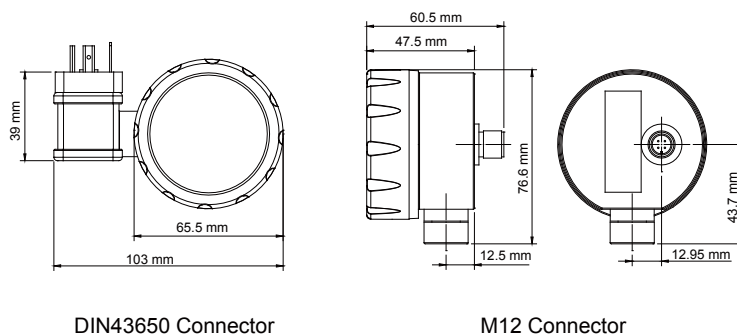
Electrical Regulation

electrical connector	DIN 43650 P9
protection rating	IP 65
electrical protection	⊙polarity protection
environmental temperature	- 20 °C ... 75 °C
rotating angle	DIN 43650 : 330° / M12 : 210°
body	ABS (UL94V-0) + PC (UL94V-2)
weight	H : 125 g / M : 127 g

Ordering Guide

type	SD	05	-	1	1	0	-	H		
installation method	integrated-type	05	-							
display	LED			1						
input signal	4 ... 20 mA				1					
power supply	2-wire loop power					0				
connector	DIN 43650						-	H		
	M12						-	M		

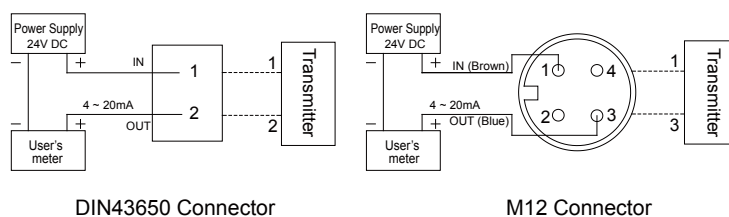
Dimension



DIN43650 Connector

M12 Connector

Diagram



DIN43650 Connector

M12 Connector