



# P041 Pressure Transmitter

Pressure-P041

[www.eyc-tech.com](http://www.eyc-tech.com)



## | Features |

- Housing SUS304 outer
- Compact and rugged design and easy to install
- With reasonable price, high accuracy and stability in a long-run

## | Applications |

Measuring pressure for liquid and air /  
Research and Development / Laboratory /  
Processing engineering / Building / Liquid /  
Air pressure measurement / Machine devices /  
Water plant / Air devices

## | Specification |

### Input

Sensor type	Piezoresistive diaphragm					
Measuring range	Relative pressure : 10 bar					
Pressure overload range	Pressure range	0.25 ... 0.4	0.6 ... 1	2	2.5 ... 4	6 ... 10
	Overload range	2.5	3	4	7	15

### Output

Output	4 ... 20 mA
Signal connection	2-wire
Linear accuracy	$\pm 0.3\%$ of F.S.
Load resistance	$\leq (\text{Operating voltage} - 10 \text{ V}) / 0.02 \text{ A } \Omega$
Output calibration (ZERO & SPAN) adjustment range	$\pm 10\%$ of Zero-point and full-scale
Response time	$\leq 5 \text{ ms}$

### Environment

Measuring medium	Air / Liquid
Medium Temp.	85°C ; Cooling connector $\leq 100^\circ\text{C}$ (Option)
Operating Temp.	85°C
Operating humidity	100%RH
Storage temperature	-40 ... +100°C
Zero-point error	$\pm 0.2\%$ F.S. / 10 K
Measuring range tolerance	$\pm 0.2\%$ F.S. / 10 K

### Electrical

Power supply	DC 10 ... 30 V
Current consumption	<20 mA
Overvoltage protection	$\leq \text{DC } 33 \text{ V}$
Electrical connection	DIN 43650

### Installation

Installation	Duct
Connect thread	Outside thread : 1/2"PT, 1/4"PT

### Certification

Certification	CE
---------------	----

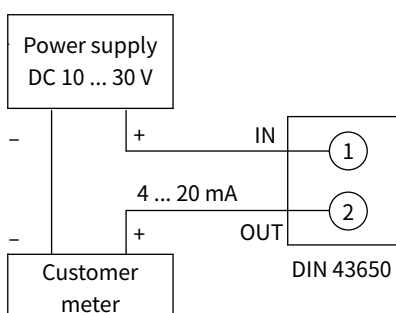
### Protection

IP rating	DIN 43650 : IP65
Electrical protection	■ Over-voltage
	■ Polarity
	■ Short-circuit
Flutter test	20 g (20 ... 5000 HZ)

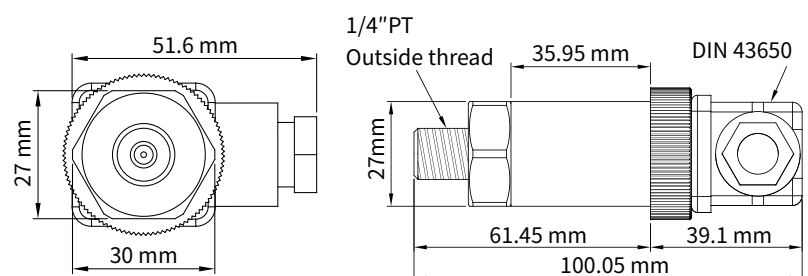
### Material

Housing	SUS304
Wetted part	SUS304
Sensor	SUS316L
Oil seal	Viton
Weight	150 g

## | Diagram |



## | Dimension |



## | Ordering Guide |

	Appearance	Pressure type	Pressure range	Output	Connect thread (Outside thread)	Power supply	Connector
<b>P04</b>	<b>1</b> 1 : Ø27	<b>1</b> 1 : Relative pressure	<b>03</b> 03 : 0.25 bar 04 : 0.40 bar 06 : 0.60 bar 11 : 1.00 bar 12 : 2.00 bar 13 : 2.50 bar 14 : 4.00 bar 16 : 6.00 bar 21 : 10.0 bar	<b>1</b> 1 : 4 ... 20 mA	<b>2</b> 2 : 1/4"PT 4 : 1/2"PT	<b>0</b> 0 : DC 10 ... 30 V	<b>1</b> 1 : DIN 43650

## | Additional Option Test Report |

For more detailed information please contact us.

### ■ ILAC / TAF

YUDEN-TECH CO.,LTD. Calibration Laboratory - ( ILAC / TAF ) Test report.

(TAF accreditation: 3032, complying with ISO / IEC 17025 ) TAF has mutual recognition arrangement with ILAC MRA

Project	Measurand level or range
Pressure transmitter	Gauge pressure : 10 ... 7000 kPa

### ■ ISO 9001

Project	Measurand level or range
Pressure	Relative pressure : $\leq 6000$ kPa