



GS43/44

CO<sub>2</sub> Transmitter(Indoor / Duct Type)

## | Features |

- Accurate and excellent long-term life cycle
- Measuring up to 10000 PPM
- Voltage or current output and optional RS-485, and display
- Free software configuration

## | Applications |

Monitoring air quality and saving energy / Environmental control and monitoring system / Ventilation system control for building, library, train station, supermarket, office / Agriculture, green houses, fruit and vegetable storage, mushroom farming, hatcheries and incubators

## | Specification |

### Display

Display	Without backlight
Digit	5 digits(upon request)
Digit height	5.56 mm

### Input

Sensor type	NDIR sensor
Measuring range	2000 / 5000 / 10000 PPM

### Output

Output	4 ... 20 mA / 0 ... 10 V
Modbus	RS-485
Signal connection	3-wire
Sensitivity	±1 PPM ±1% of measured value
Load resistance	Voltage output : $\geq 10 \text{ K}\Omega$ Current output : $< 250 \Omega$
linear accuracy (at +25°C)	400 ... 2000 PPM : $\pm 40 \text{ PPM} \pm 3\%$ of reading 2000 ... 10000 PPM : $\pm 250 \text{ PPM} \pm 3\%$ of reading
Output calibration (ZERO & SPAN)	Factory software calibration
Warm-up time	< 2 min. ; stable time 20 mins.
Response time(t90)	GS33: < 2 min. ; GS34 : < 6 min.
Sampling time	About 6 sec.
ADC default	2000 PPM : On ; 5000 PPM / 10000 PPM : Off

### Environment

Medium	Non-aggressive gas(HVAC system)
Operating Temp.	0 ... 50°C
Operating Humid.	Tarps : 0 ... 95%RH(Non-condensing) Non-woven : 0 ... 85%RH(Non-condensing)
Storage temp.	-20 ... +60°C

### Electrical

Power supply	DC 12 ... 36 V & AC 24 V $\pm 10\%$
Current consumption	DC : 37 mA / AC : 70 mA
Starting current	DC : > 200 mA / AC : > 210 mA
Electrical connection	M12(4P or 5P)metal connector with 2 m cable or terminal(cable gland)

### Installation

Installation	Indoor : Wall mount Duct : Flange mount
--------------	--

### Protection

IP rating	GS43 : IP54 / GS44 : IP64
Electrical protection	■ Polarity protection ■ Over-voltage ■ Short-circuit

### Certification

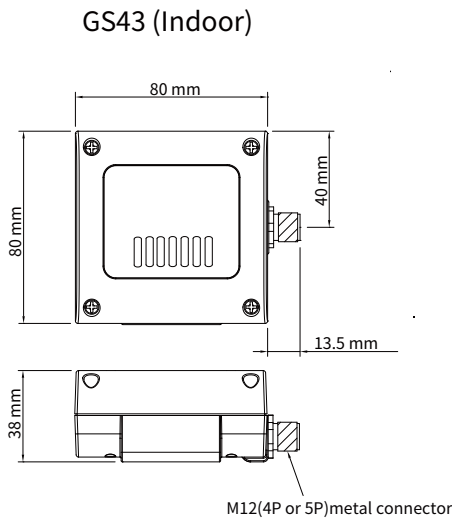
Certification	CE
---------------	----

### Material

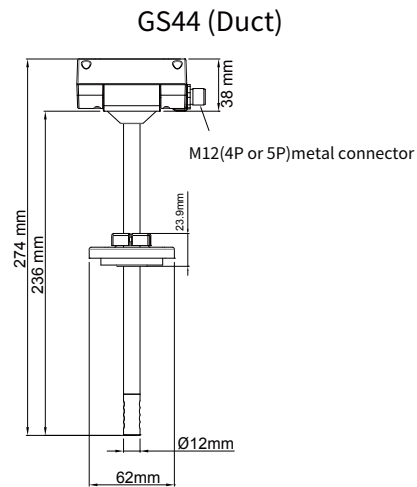
Housing	PC fire-proof(PC - 110)(UL94V-2)
Filter for duct type	POM
Ventilation-cloth	2000 PPM : Non-woven 5000 / 10000 PPM : Tarps
Weight	GS43 : 126 g / GS44 : 155 g

\*Please make sure the product and the device which connect with RS-485 are on common ground, avoid damaged product.

## | Dimension |

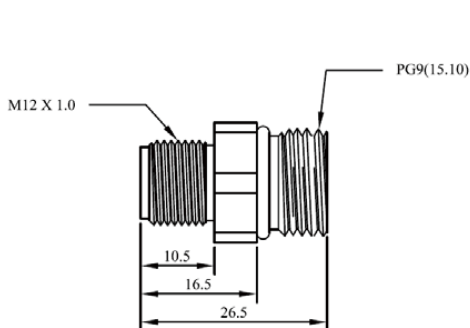


M type (4P) : RS-485 or analog  
 M type (5P) : RS-485 + analog

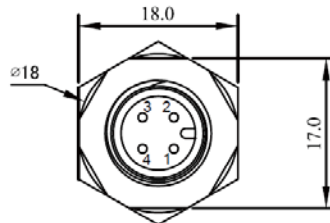


M type (4P) : RS-485 or analog  
 M type (5P) : RS-485 + analog

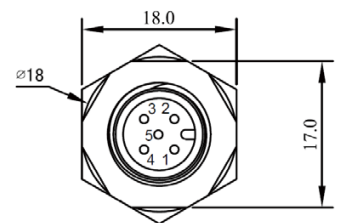
## | Electric Connector | Unit : mm



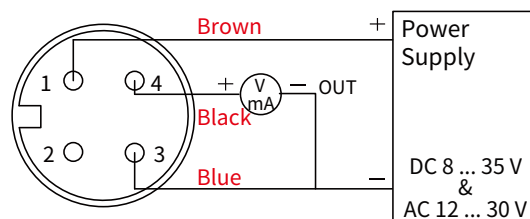
【M type (M12-4PIN metal connector)】  
 RS-485 or analog



【M type (M12-5PIN metal connector)】  
 RS-485+analog

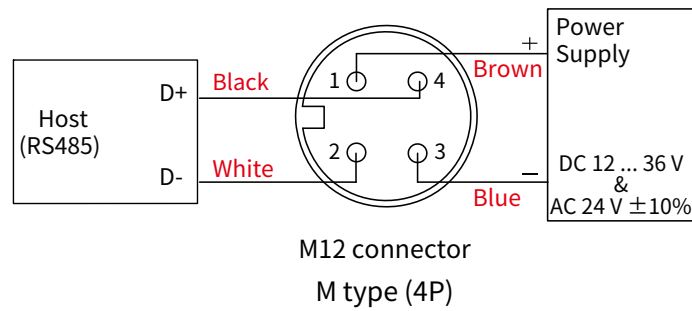


## | Analog Diagram |

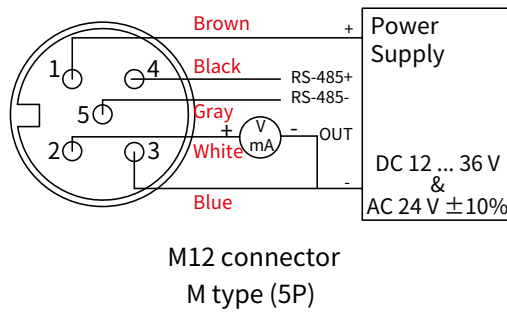


M12 connector  
 M type (4P)

## | RS-485 Diagram |



## | Analog+RS-485 Diagram |



## | Ordering Guide |

Installation	Input	Output	Power supply	CO <sub>2</sub> range	Modbus	Option
GS 43 - 1 - 1 - 3 - 2 - 0 - D						
43 : Indoor 44 : Duct	1 : CO <sub>2</sub>	1 : 4 ... 20 mA 6 : 0 ... 10 V N : RS-485	3 : DC 12 ... 36 V & AC 24 V ± 10%	2 : 2000 PPM 5 : 5000 PPM 8 : 10000 PPM N : RS-485	0 : Analog 1 : RS-485 2 : RS-485 & analog * M type - M12(5P) metal connector	D : Option M : M12(4P或5P) * Metal connector (with 2 m cable)