

TP04-S

Temperature Sensor for duct type



APPLICATIONS

Features

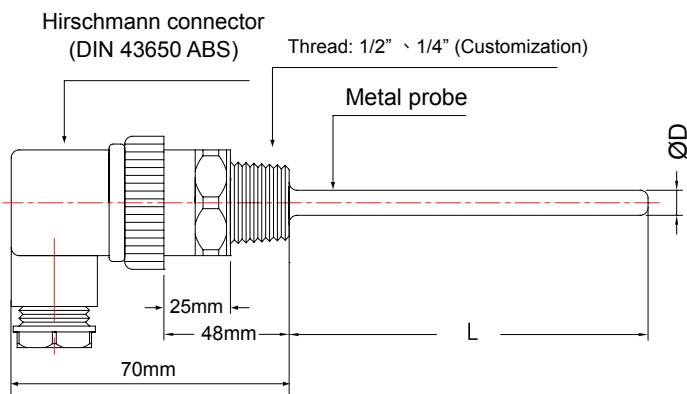
- Monitoring for long-distance temperature signal transmission.
- For process in agriculture, green house, water power and electricity.
- For industries in heating, air conditioning , refrigeration.
- Machinery manufacturing, storage tank, compressor, hydraulic equipment.



TP04 - SPT **1** **A** - **1/2** - **6.3** - **100** - **316**

Sensor type	Accuracy	Process Connection	Out diameter (Ø)	Length (mm)	Material of probe
1. PT100 (IEC) 2. PT500 (IEC) 3. PT1000 (IEC)	A±(0.15+0.002 t) (optional) B±(0.3+0.005 t)	1/2" PT 1/4" PT	5Ø 6.3Ø 8Ø	L(mm)	SUS304 SUS316L (optional)

DIMENSION



TECHNICAL SHEET

Measuring range -70 ~ +200°C
 Electrical connection DIN 43650 ABS
 Protection degree IP65
 Housing SUS304
 Probe size On request
 Connection method 2-wire ; 3-wire
 Accuracy tolerance
 RTD Class A ±(0.15+0.002 | t |) : -40°C~200°C ;
 Class B ±(0.15+0.002 | t |) : -70°C~200°C ;
 Installation Thread

CONNECTION DIAGRAM

