



THS130/140 Series

Temperature & Humidity Transmitter for Indoor / Duct type



Application

〈 Feature 〉

- MEMS sensor is suitable for condensing environment
- Excellent long-term stable ability
- Cost-effective and accurate measurement
- Outstanding long-term performance
- Voltage or current outputs, optional passive temperature output

〈 Application 〉

- Monitoring for HVAC process / air conditioning / environmental ventilation control
- Environmental monitoring for building / factory / hospital / storage rooms
- Monitoring for Building automation environment

Specification

Input

sensor type	MEMS sensor
passive T-sensor (3-wire)	PT100 Class A ; PT1000 Class A

Measuring Range

temperature	0 ... 50 °C
humidity	0 ... 100 % (non-condensing)

Output

output	4 ... 20 mA / 0 ... 10V
signal connection	2-wire / 3-wire
warm-up time	< 2 min. , stable time 20 mins.
response time	t63(15°C to 45°C / 33 to 75 % RH) ≤ 10 sec.
sampling time	about 3 secs.
temperature influence	max. -0.15 %RH / °C(0°C to 80°C)
load resistance	2-wire current < 250 Ω 3-wire current < 250 Ω 3-wire voltage ≥ 10 KΩ

Accuracy (at 25 °C)

temperature	± 0.3 °C
humidity	± 2% RH(20...80% RH)

Environment

media measured	air
working temperature	0 ... + 50 °C
working humidity	0 ... 100 % RH
storage temperature	-20 ... +60 °C

Electrical

power supply	2-wire : 15~35VDC 3-wire : 19~35VDC & 24 ± 10 % VAC
current consumption	2-wire : DC : max. 45mA 3-wire : DC : max. 80mA ; AC : max. 150mA
electrical connection	2-wire : 3P connector 3-wire : 4P connector passive T-sensor : 3P connector

Installation

installation	indoor : wall duct : flange
--------------	--------------------------------

Protection

protection degree	IP54
electric protection	Ⓞpolarity protection Ⓞover-voltage Ⓞshort circuit

Certification

certification	CE
---------------	----

Material

housing	PC (PC-110) (UL94V-2)
weight	THS130 : 113g ; THS140 : 135g

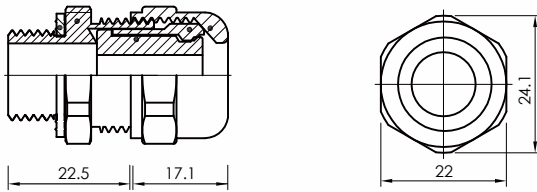
Ordering Guide

type	THS	140	—	A	6	3	—	30	XX	—	N
installation	indoor duct	130 140	— —								
function	temperature & humidity output			A							
output	4 ... 20 mA (2-wire) 4 ... 20 mA (3-wire) 0 ... 10 V (3-wire)				1 3 6						
power supply	15 ... 35 VDC (2-wire) / 19 ...35 VDC(3-wire) 19 ... 35 VDC & 19 ... 29VAC (3-wire) (optional)					1 3					
measuring range	0 ... 50 °C special range							30 YY			
passive T-sensor	PT100 (optional) PT1000 (optional) none								P2 P3 XX		
option	none										N

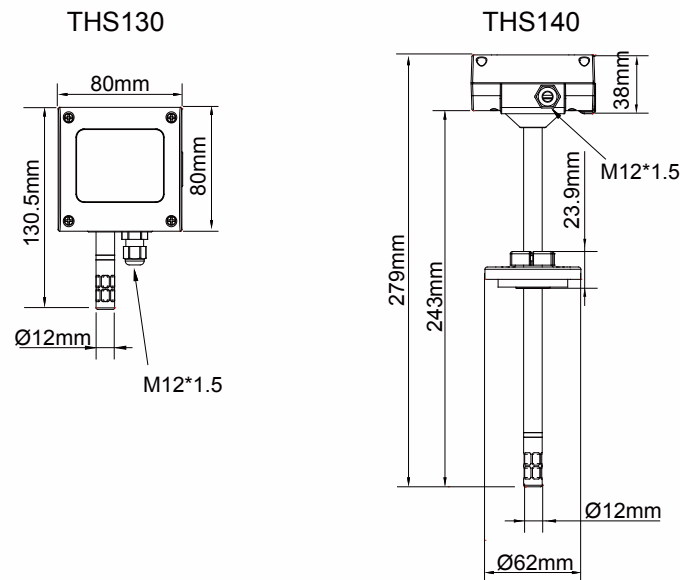
Electric Connector

unit : mm

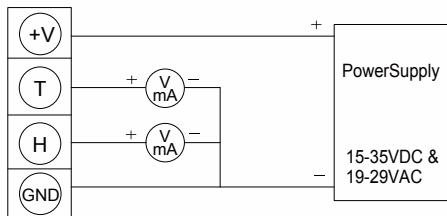
【N type (M16 cable gland)】 RS-485+analogue



Dimension

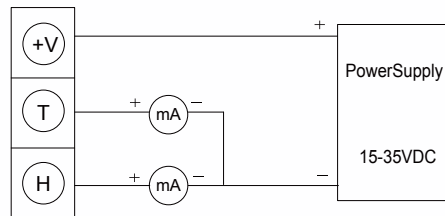


Diagram



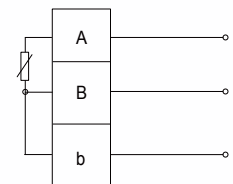
4P Connection

3-wire
4-20mA / 0-10V



3P Connection

2-wire
4-20mA



3P Terminal

Passive T-sensor