

# THS07

## Temperature & humidity transmitter for probe type



### APPLICATIONS

#### Feature

- Compact design and easy to install.
- An economical choice, high C/P ratio.
- Industrial class sensor comes with high accuracy and long-term stability.

#### Application

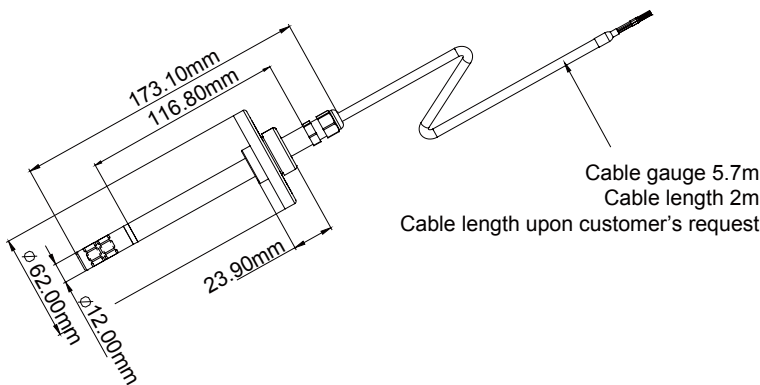
- Monitoring for HVAC process/ air conditioning/ environmental ventilation control.
- Environmental monitoring for building/ factory/ clean room/ Lab.
- Monitoring for storeroom/ crisper/ agriculture/ food industry.
- Temperature and humidity measuring in machinery equipment.



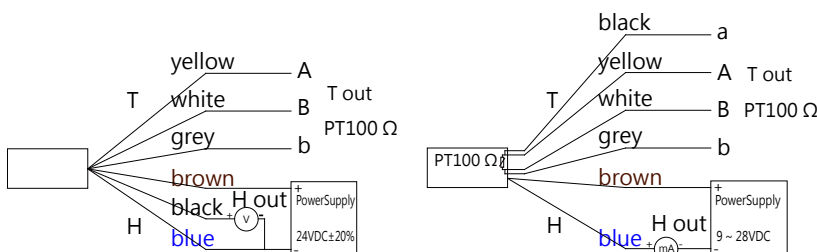
THS **07** - **A** **J** **1** - **P2** **00** - **2**

Installation	Function	Output	Power Supply	Temperature Range	Humidity Range	Option
<b>07</b> : probe type	<b>A</b> : temperature/humidity output	<b>J</b> : RTD(3-wire) & 0-10V(3-wire) <b>K</b> : RTD(4-wire) & 4~20mA(2-wire)	<b>1</b> : 24VDC±20% (output item J) <b>2</b> : 9~28VDC (output item K)	<b>P2</b> : PT100 <b>NT</b> : NTC10K	<b>00</b> : 0~100%	<b>2</b> : 2 m cable

### DIMENSION



### CONNECTION DIAGRAM



### TECHNICAL SHEET

#### Input

Input ..... Capacitive Humidity Sensor & PT100Ω  
 Measuring range ..... temp.:PT100/NTC10K  
 ..... humidity:0-100%  
 Max working range ..... temp.:0-50°C  
 ..... humidity:5-95%  
 Recommended working range ..... temp.:15-35°C  
 ..... humidity:20-80%

#### Output

Output ..... temp.:PT100Ω  
 ..... humidity:0-10V/4-20mA  
 Signal connection .....  
 ..... humidity:3-wire(0-10V)/temp.:3-wire  
 ..... humidity:2-wire(4-20mA)/temp.:4-wire

#### Accuracy

Temperature .....  $\pm 0.3^{\circ}\text{C} + 0.002^{\circ}\text{C} \times t_{\text{actual}}$   
 Humidity .....  $\pm 3\% \text{RH}(30-70\%)$  of F.S., at  $+25^{\circ}\text{C}$   
 .....  $\pm 5\% \text{RH}(20-80\%)$  of F.S., at  $+15-35^{\circ}\text{C}$   
 Temp. influence ..... 0.2% RH/°C  
 Load resistance ..... 0-10V ;  $\geq 10\text{K}\Omega$   
 ..... 4-20mA;  $\text{RL} < (+V-10)/0.02 < 500\Omega$   
 Output calibration (ZERO) adjustment degree .....  
 ..... 10% of zero-point and full-range  
 Response time ( $\geq 1\text{m/s}$ ) ..... < 20 s

#### Environment

Media/Storage temp. .... air/-5~+60°C  
 Max. flow speed .....  $\leq 15\text{m/sec}$   
 Working influence ... CO Tolerance of zero-point :  $\leq \pm 10\text{ppm}$   
 Power supply ..... 24VDC  $\pm 20\%$  (3-wire)/9-28VDC (2-wire)  
 Consumption current ... 0-10V(3-wire):8mA ; 4-20mA(2-wire):21mA  
 Electrical connection ..... PVC cable 0.32mm x6C<sup>2</sup>  
 Installation ..... flange  
 Protection degree ..... IP24  
 Electric protection .....  
 ... ■ Polarity protection ■ over-voltage ■ short circuit  
 Housing/cable ..... PC fire-proof class (UL94V-2) / PVC  
 Weight ..... 17g(without cable)