



GS23 CO2 Transmitter / Indoor type



Application

〈 Feature 〉

- Optional LCD display
- Measuring carbon dioxide
- 1 analog output or Modbus RS-485
- Optional analogue output + RS-485
- Quick easy installation and maintenance due to well designed
- Cost-efficient and reliable
- Data can be logged and transferred to pc via RS-485 function link free software

〈 Application 〉

- Monitoring the air quality in indoor environments
- HVAC / air conditioning / museums / supermarkets / Data centers / warehouses

Specification

Display

display	LCD module without backlight
display readout	one line character
digit	4 digits
digit height	17.84 mm

Input

CO2	NDIR sensor
-----	-------------

Measuring Range

CO2	0 ... 2000 PPM
-----	----------------

Output

analogue output	0 ... 5 V / 0 ... 10 V / 4 ... 20 mA
Modbus	RS-485
signal connection	3-wire
load resistance	max. 250Ω for 1 output / min. 10KΩ for V output
warm-up time	< 2 min. , stable time 20 mins.
response time	t90 < 2 min.
sampling time	about 6 secs.
data logger	via RS-485 by using eyc free software

Accuracy (at +25 °C ; 101.3 kPa)

CO2	± 40 PPM ± 3 % of reading
-----	---------------------------

Environment

media measured	air
working temperature	0 ... 50 °C
working humidity	0 ... 85 %
storage temperature	-20 ... +60 °C

Electrical

power supply	DC 12 ... 36 V & AC 24 V ± 10 %
current consumption	DC : 150 mA
	AC : 120 mA
starting current	DC 24V : 250 mA
	DC 12V : 550 mA
	AC 24V : 230 mA
	AC 12V : 250 mA
electrical connection	analogue & communication : 4P connector

Installation

installation	wall
--------------	------

Protection

protection degree	IP 20
electric protection	⊙ polarity protection ⊙ short circuit

Certification

certification	CE
---------------	----

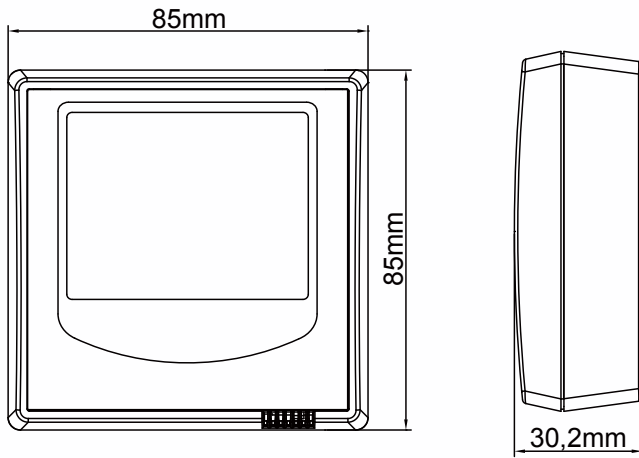
Material

case	PC (PC - 110) (UL94V-2)
weight	100 g

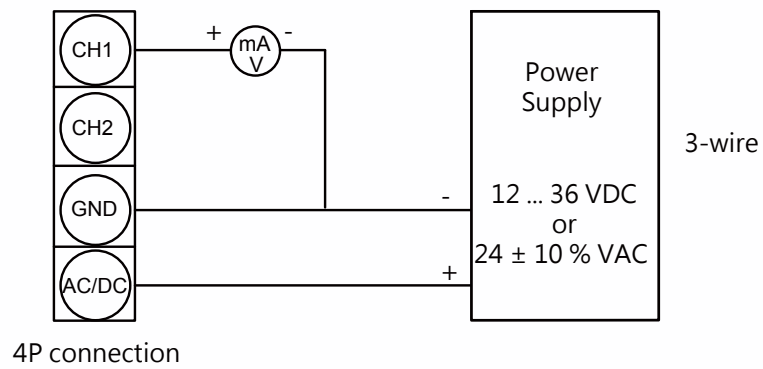
Ordering Guide

type	GS23	—	1	1	1	2	—	0	D
input	CO2	—	1						
output	4 ... 20 mA 0 ... 10 V 0 ... 5 V RS-485			1 6 7 N					
power supply	DC 12 ... 36 V DC 12 ... 36 V & AC 24 V ± 10 % (optional)				1 3				
CO2 range	2000 PPM RS-485					2 N			
Modbus	analogue RS-485 RS-485 + analogue						— — —	0 1 2	
option	without display display								N D

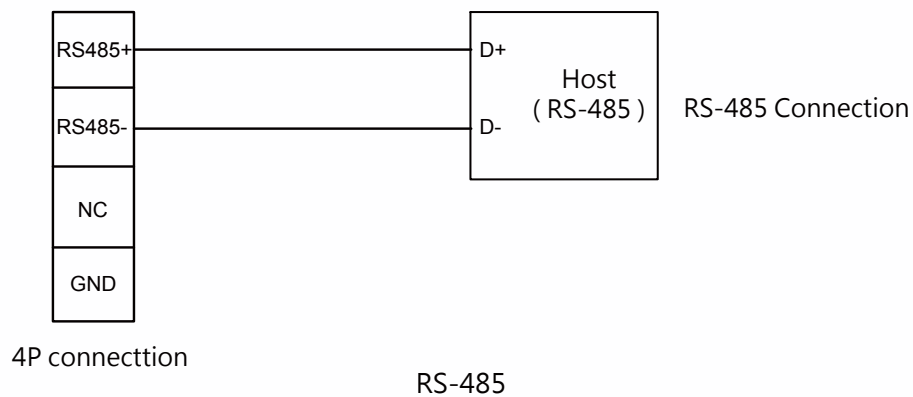
Dimension



Diagram



Analogue Output



RS-485