

# FTS07

## Hot wire air velocity transmitter for probe type



### APPLICATIONS

#### Feature

- Measuring range: 1 m/s, 10m/s, 20m/s
- Highly stability and repeatability
- Smaller tolerance in setting angle
- An economical choice, high C/P ratio

#### Application

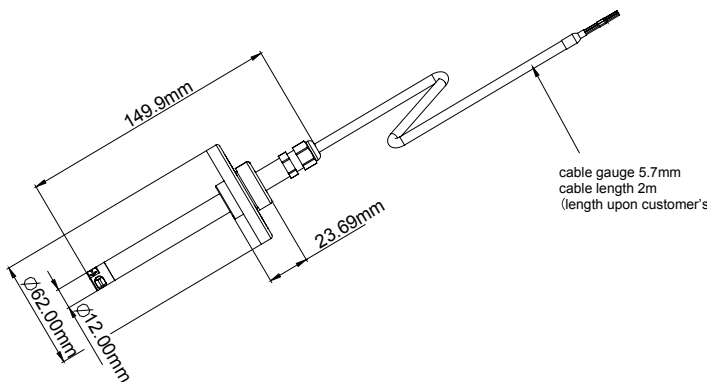
- Monitoring for HVAC process
- Environmental control and clean room
- Laminar flow control



FTS **07** - **01** **6** **1** - **2**

Installation	Range	Output	Power Supply	Option
07 : probe type	01 : 1m/s 10 : 10m/s 20 : 20m/s	6 : 0-10V	1 : 24VDC±20%	2 : 2m cable

### DIMENSION



### TECHNICAL SHEET

#### Input

Measuring range ..... 1m/s;10m/s;20m/s  
Min. measuring range ..... 0.2m/s

#### Output

Output ..... 0~10VDC  
Signal connection ..... 3-Wire  
Accuracy(at25°C) ..... ±5% of F.S.  
Load resistance(Voltage Output) ..... > 10KΩ  
Response time ... reach 90% of ultimate value within 1 sec.  
Angular dependence ..... <3% measuring range (install degree < 10°)

#### Environment

Media ..... air  
Recommended working range ..... 15~35°C  
Working environment ..... 10~90%  
Storage temperature ..... -10~60°C

#### Electrical Protection

Power supply ..... 24VDC±20%  
Current consumption ..... < 70mA  
Overvoltage protection ..... < 35VDC  
Electrical connection ..... PVC cable 0.32mm²x3C

#### Protection

Product installation ..... probe installation  
Way to fix ..... flange installation  
Protection degree ..... IP20  
Electrical protection ..... ■Polarity protection■ over-voltage  
Housing ..... PC fire-proof class (UL94V-2)  
Filter ..... PC with glass fiber  
Cable ..... PVC  
Weight ..... 25g(without cable)

### CONNECTION DIAGRAM

